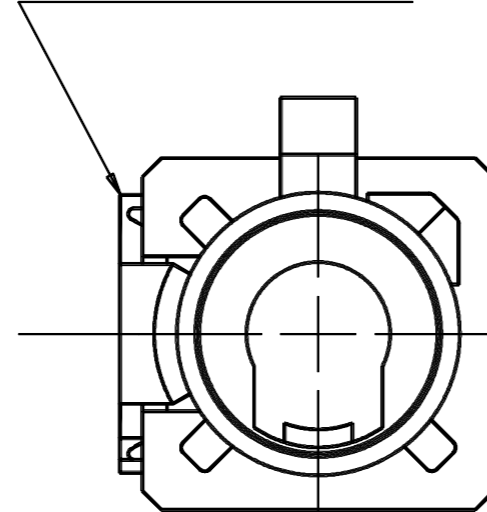


Variable X, Y and Z have to be stated within the drawing number when a order is placed.

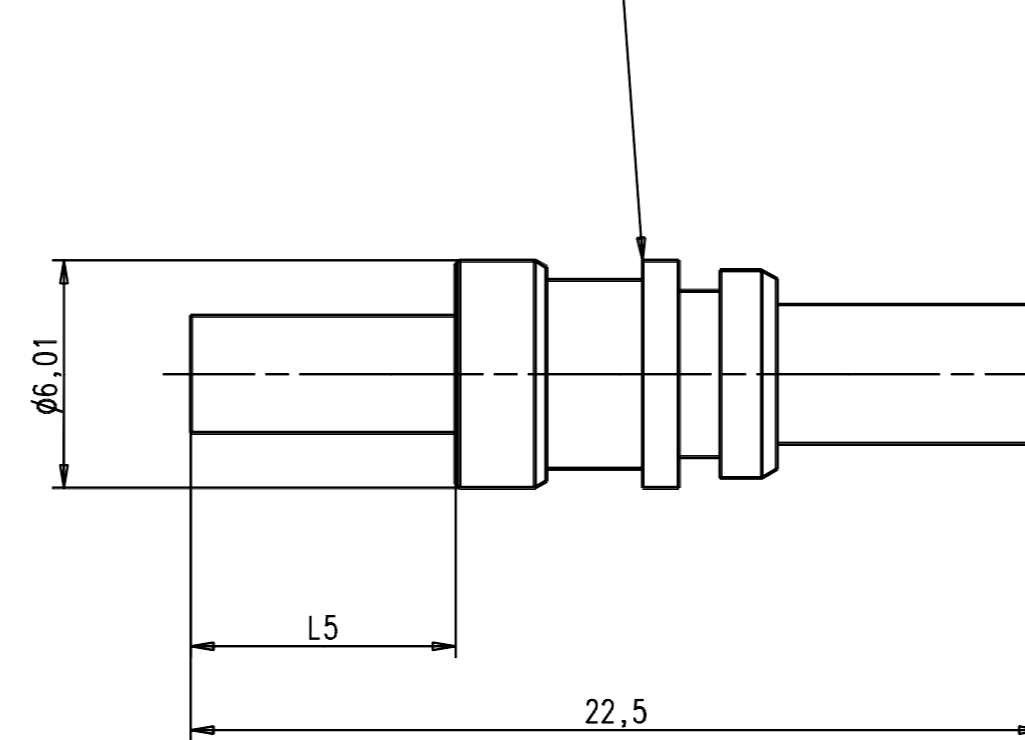
Variable X= Coding

coding X=	A	B	C	D
front view				
colour	deep black	cream white	signal blue	bordeaux violet
coding X=	E	F	G	H
front view				
colour	leaf green	nut brown	blue grey	heather violet
coding X=	I	K	L	M
front view				
colour	beige	curry yellow	carmine red	pastel orange
coding X=	N			
front view				
colour	pastel green			

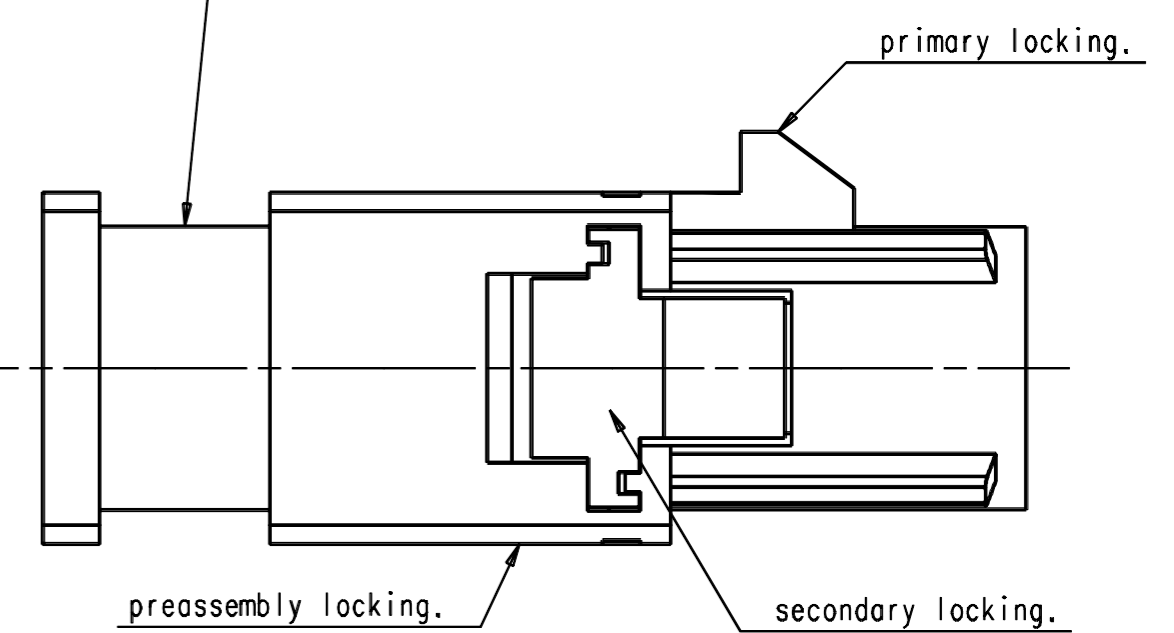
View with preassembled secondary locking, and without inserted SMBA connector.



Ordering no.: 3401.SMBA.1010.OYZ.99



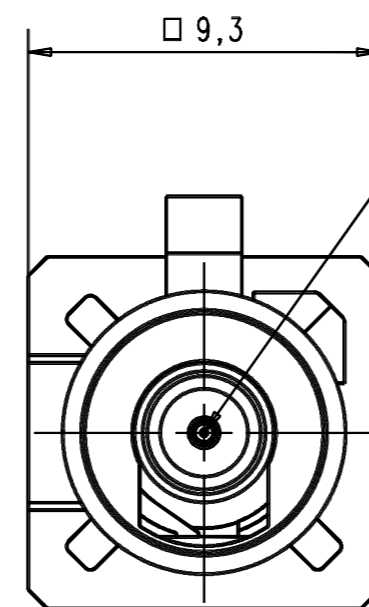
Ordering no.: 3401.SMBA.1X10.OYZ.98



View with preassembled secondary locking and without inserted SMBA connector.

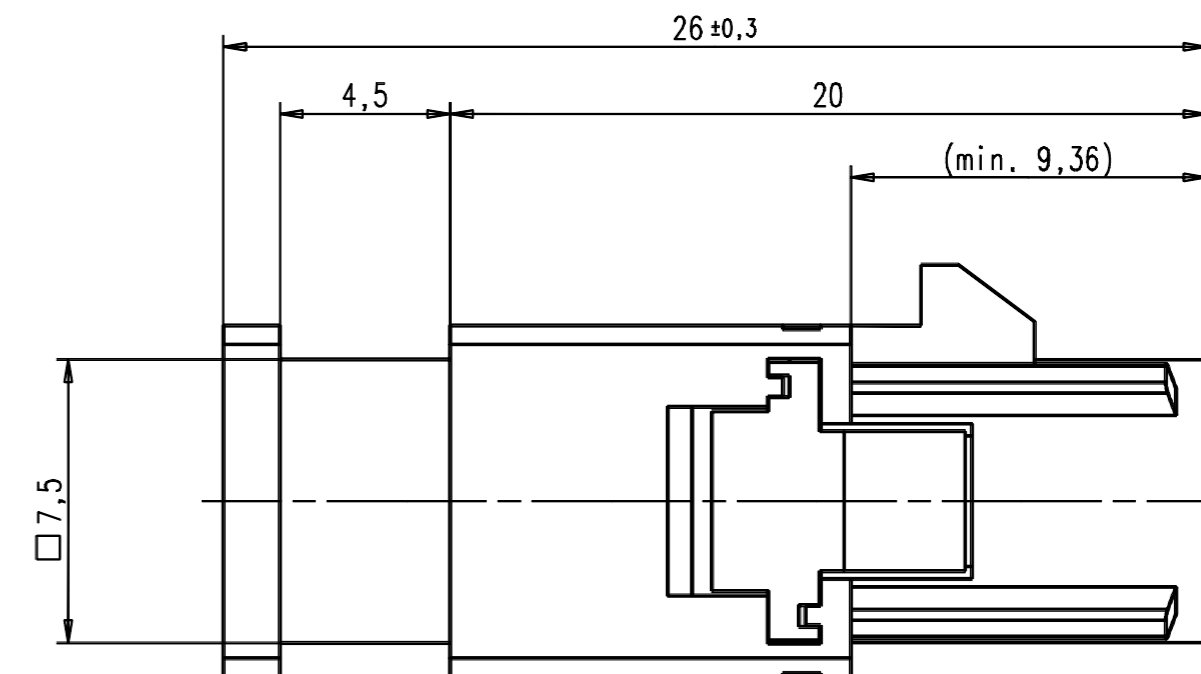
Variable Z= Plating

Part	Material	Variable Z =		
		1	5	9
Plastic Housing	PA 6.6			
Centre Contact	Brass	Au	Au	Au
Outer Contact	Brass	Au	White bronze	Ni
Insulator	PE/PTFE			
Rest	Brass/cooper	Ni	White bronze	Ni



Interface acc. to - DIN 72594

View with inserted SMBA connector.

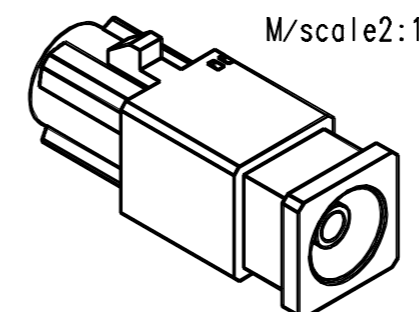


Ordering no.: 3401.SMBA.1X10.OYZ

View with inserted SMBA connector.

Variable Y= Cable typ

Y= Variable	Cable typ	Outer contact \odot Crimp		Inner contact \square Crimp		length crimp ferrule L5	Assembly instruction M-XXX	Crimp die IMS-number
		size	length	size	length			
1	ET 124899	2,67	4,0	1,23	1,5	7,0	M-156	AGK-3573-10
2	RG 174; RG 316	3,30	6,0	0,73	1,5	9,0	M-157	AGK-3573-11
3	RTK 031	4,30	6,0	1,15	1,5	9,0	M-157	AGK-3573-13
4	Hirose U.FL-LP-066 - A12B0733-01	2,67	4,0	1,23	1,5	7,0	M-156	AGK-3573-10
8	RG 58	5,35	6,0	1,15	1,5	9,0	M-157	AGK-3573-14



IMS CONNECTOR SYSTEMS				general tolerance ISO 2768 mH	ISO 2768 mH	scale: 5:1 (2:1)	Assembly instruction: M-XXX
507/03	h	Revised	11.12.03	Glutz	date	name	Kabelstecker Cable plug
088/03	g	Added cable typ	22.04.03	1S	generate	21.05.02	
088/03	f	Table corr.	11.03.03	RSc	checked		
081/03	e	Revised	28.02.03	RSc	Norm		
Design	d	Revised	23.01.03	RSc	38832		3401.SMBA.1X10.OYZ
Design	c	Addition cable gr. 4	11.10.02	RSc			
Design	b	Revised acc. DIN72594	01.10.02	RSc			
nr.	rev.	alteration	date	name			Rev. h